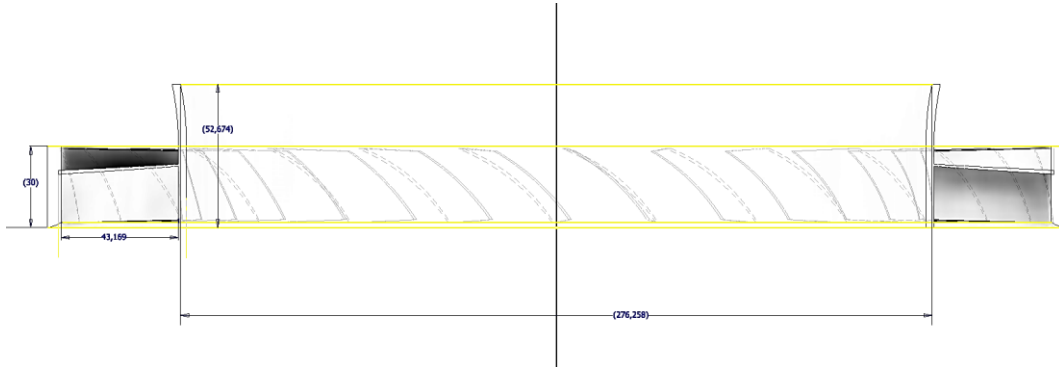
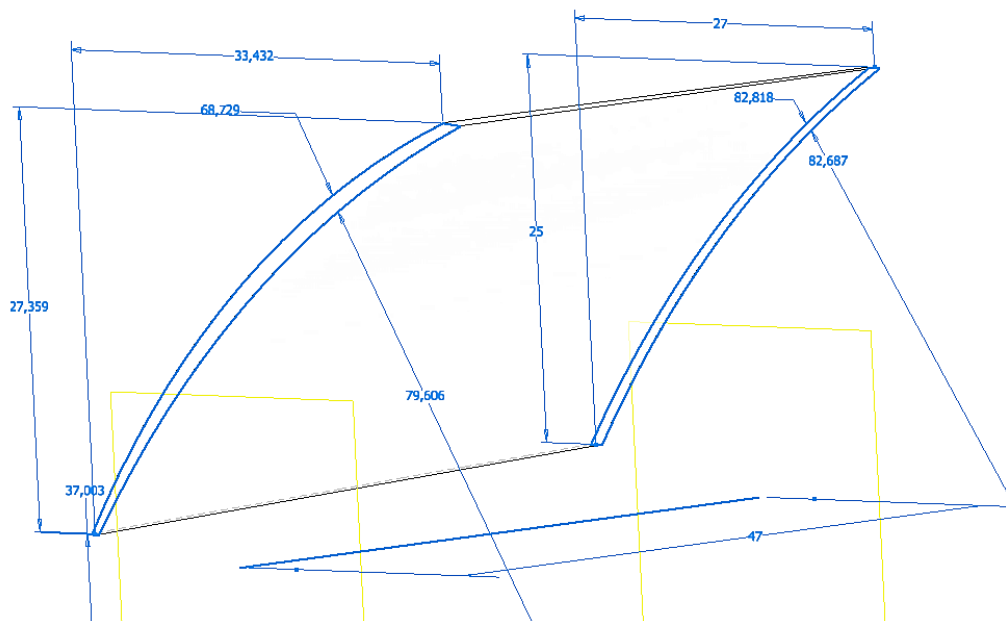


LAMPIRAN-LAMPIRAN**Lampiran 1. Rincian Desain Baling-Baling**

Ukuran Body dan Sirip Baling-baling



Ukuran Penampang Sirip Baling-baling

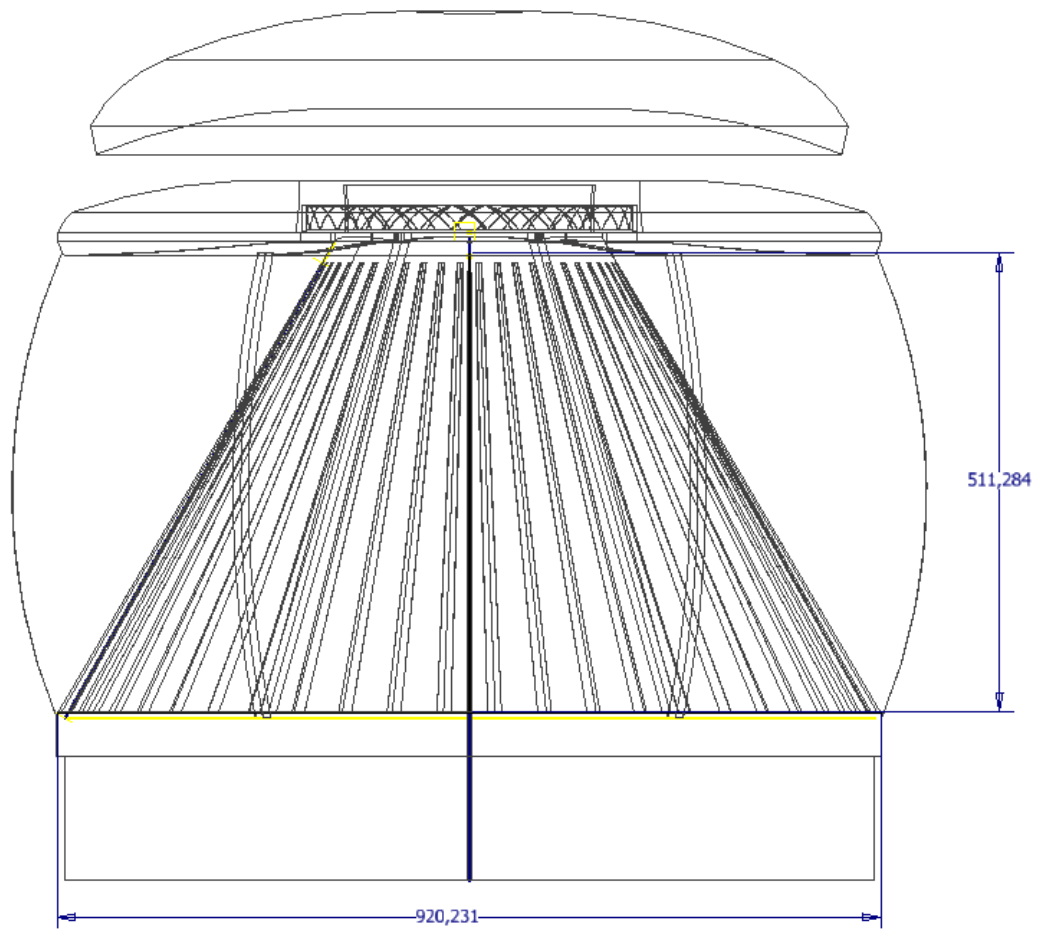


Tampak Serong Atas Baling-baling

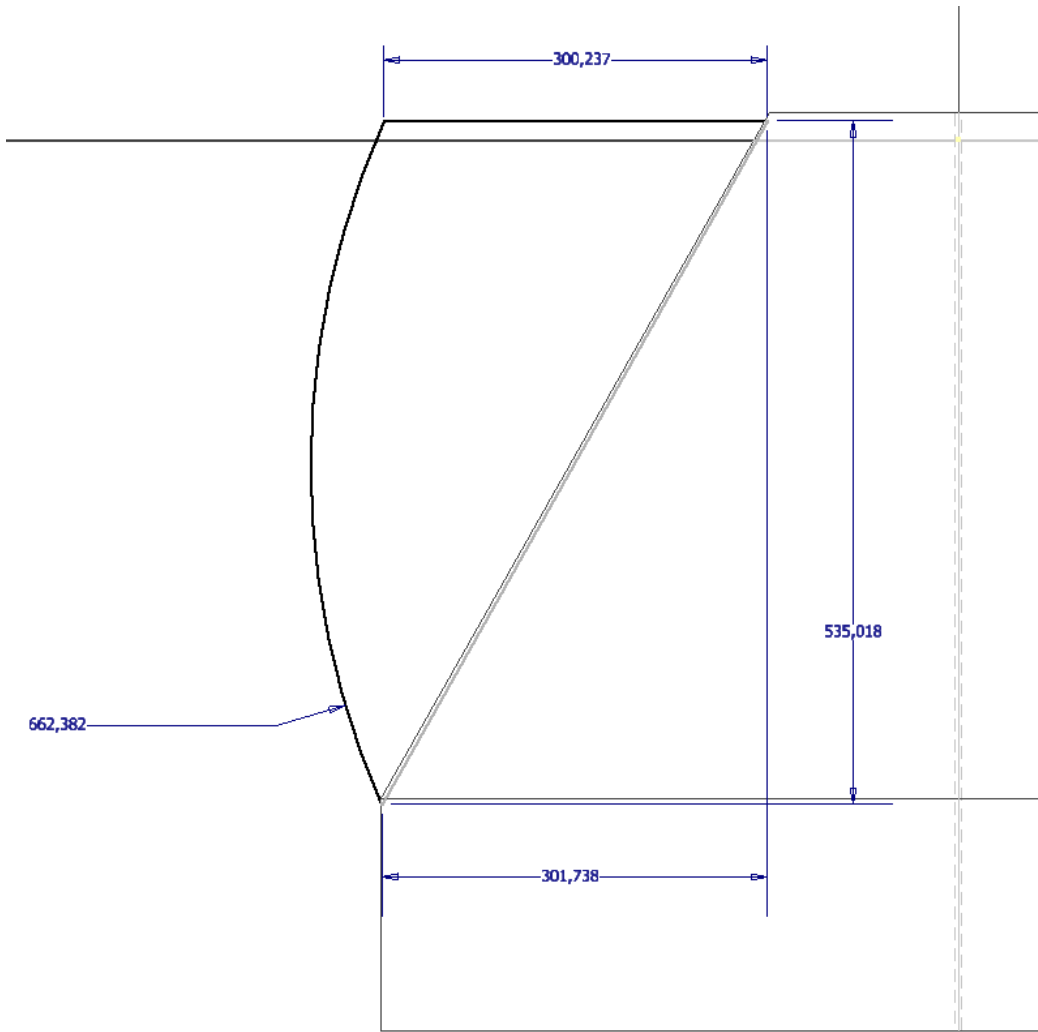


Lampiran 2. Rincian Desain *Body*

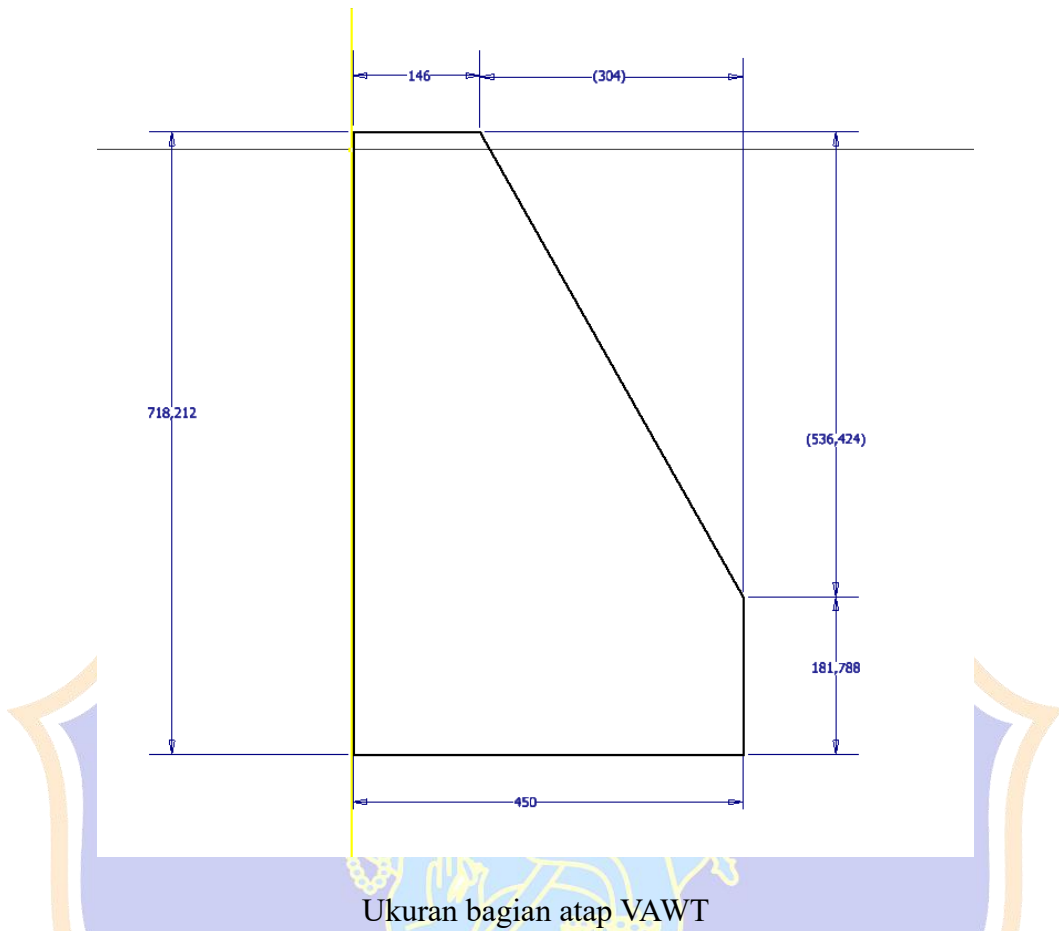
Sketsa samping body VAWT



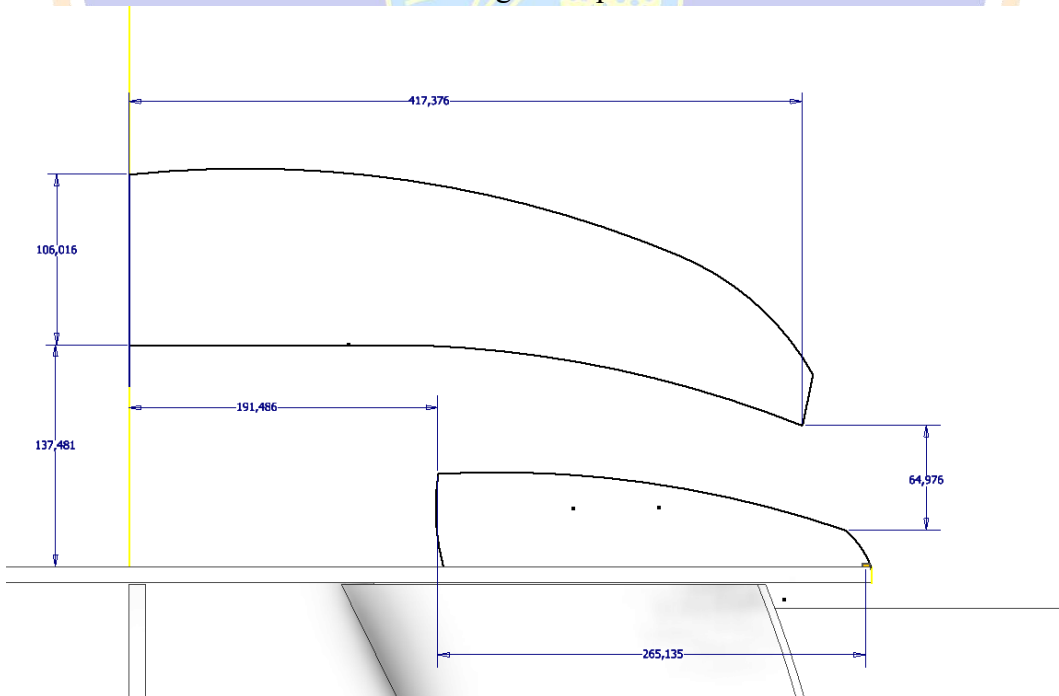
Ukuran sirip penangkap angin



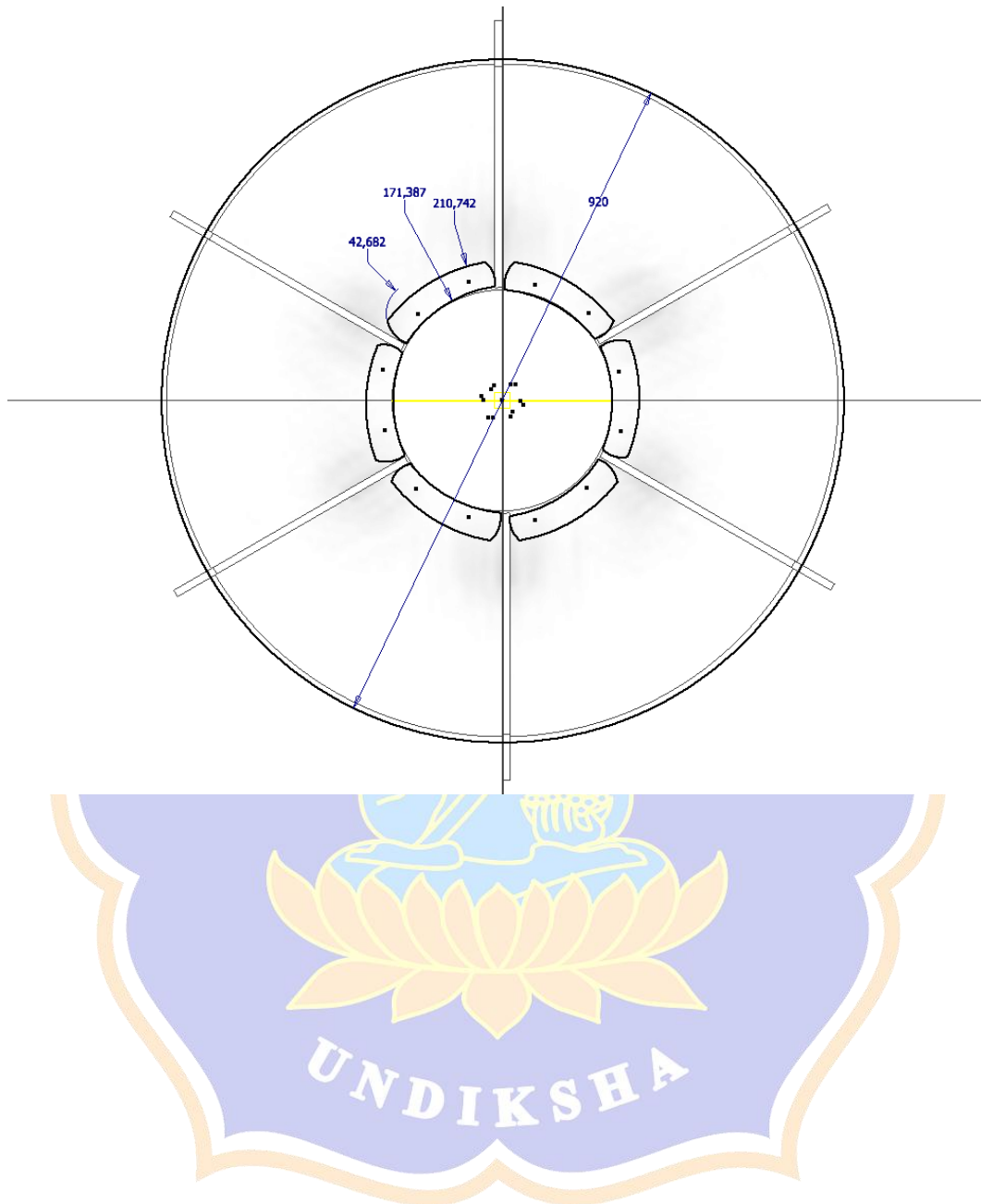
Ukuran body VAWT



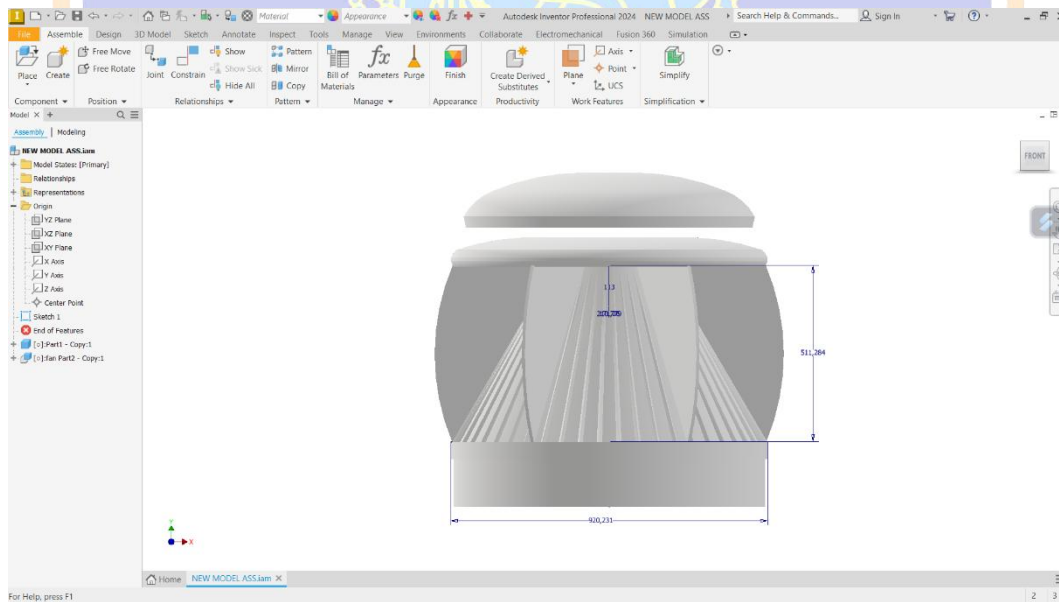
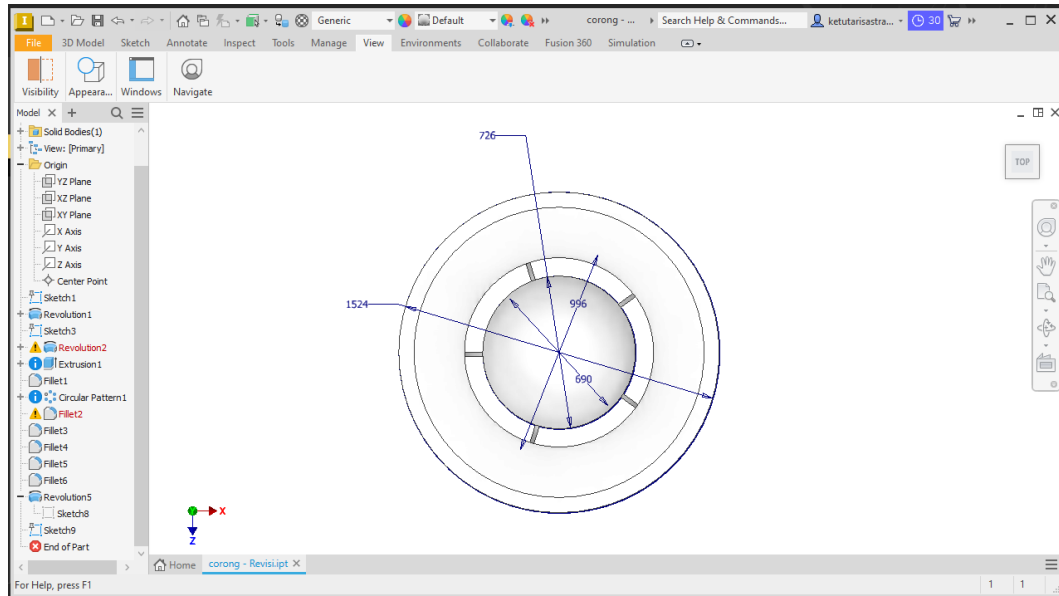
Ukuran bagian atap VAWT



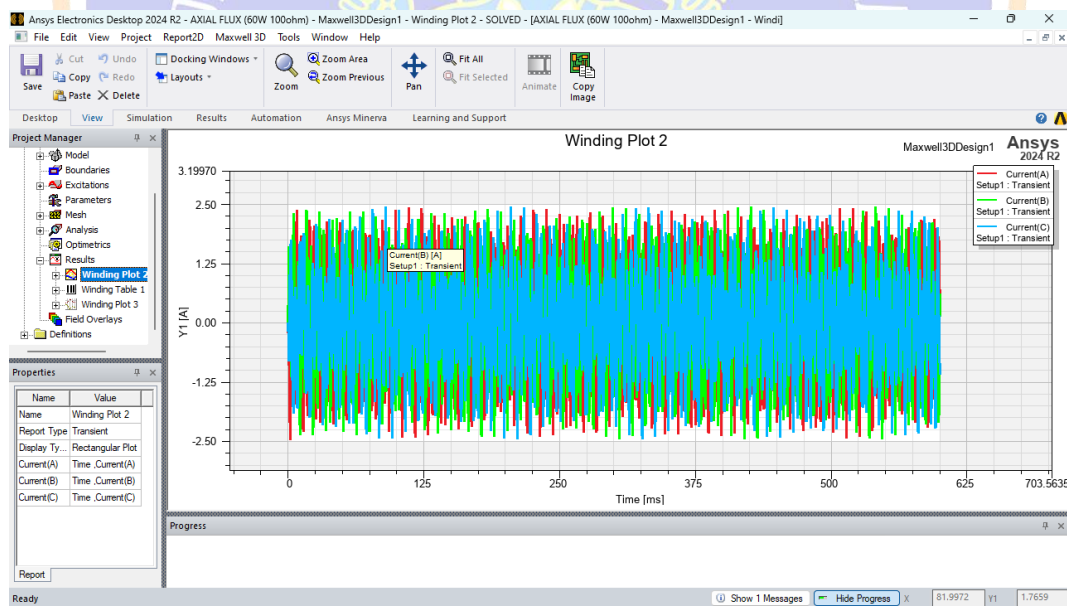
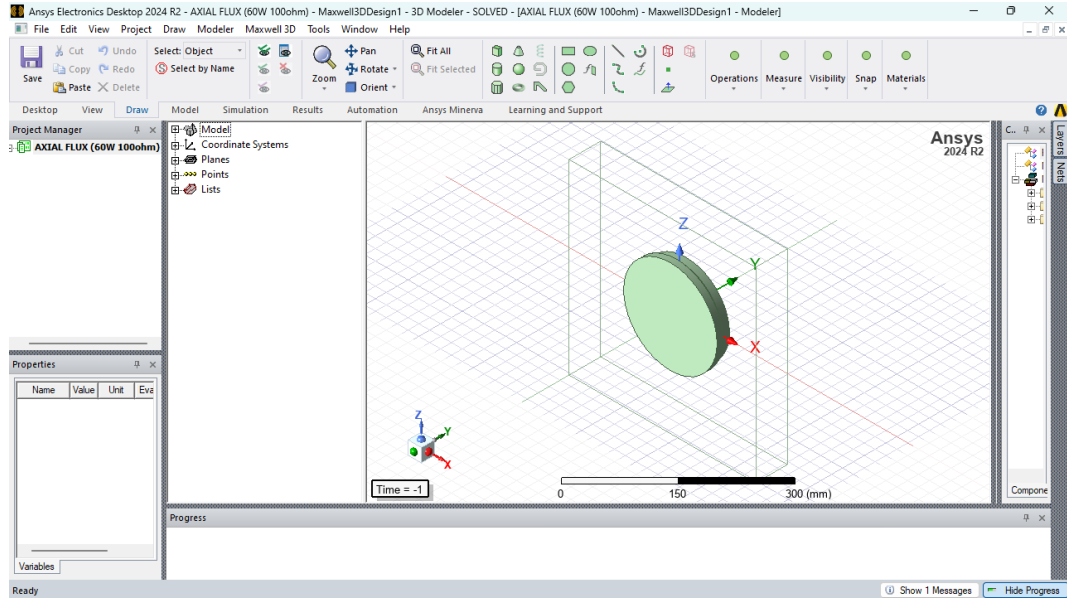
Ukuran lubang udara kearah baling-baling



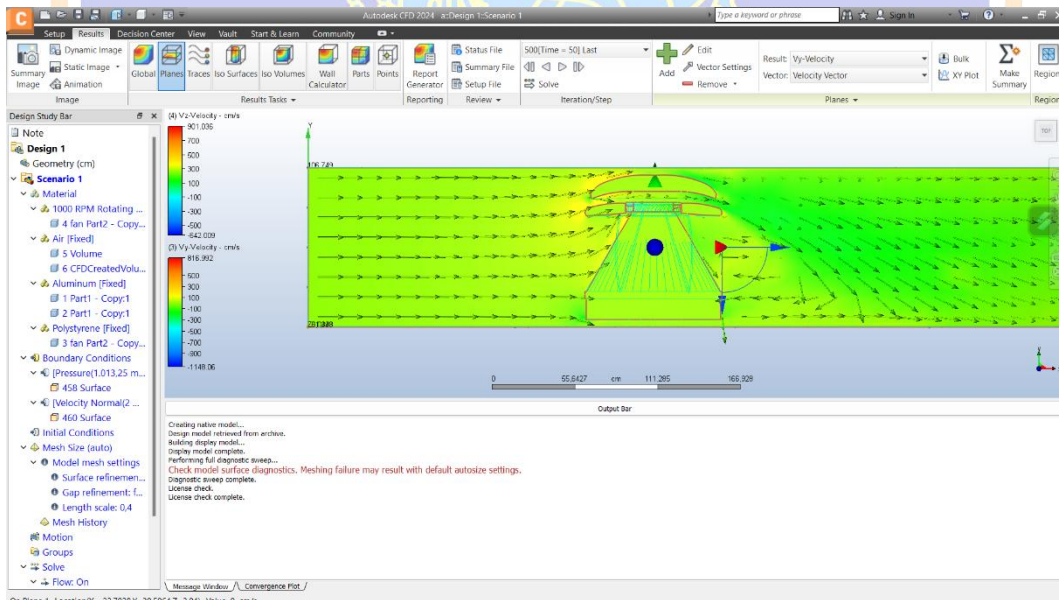
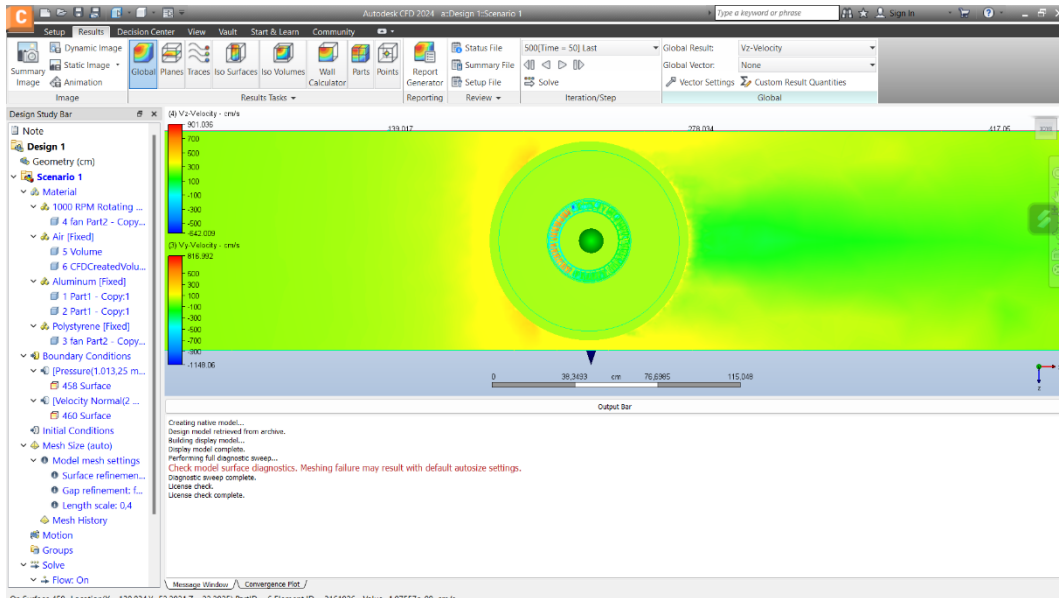
Lampiran 3. Proses Desain Di Autodesk Inventor



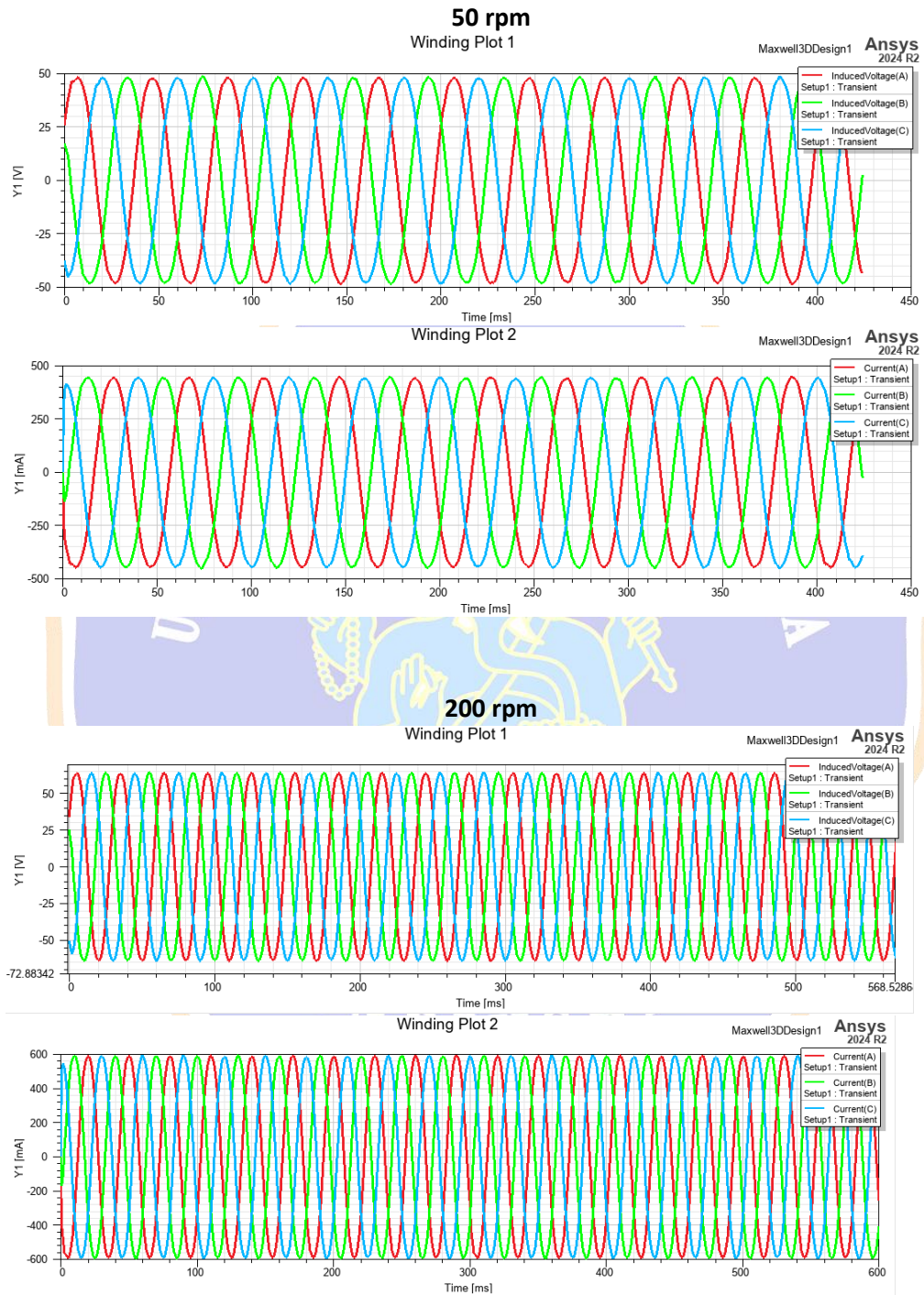
Lampiran 4. Ansys Maxwell



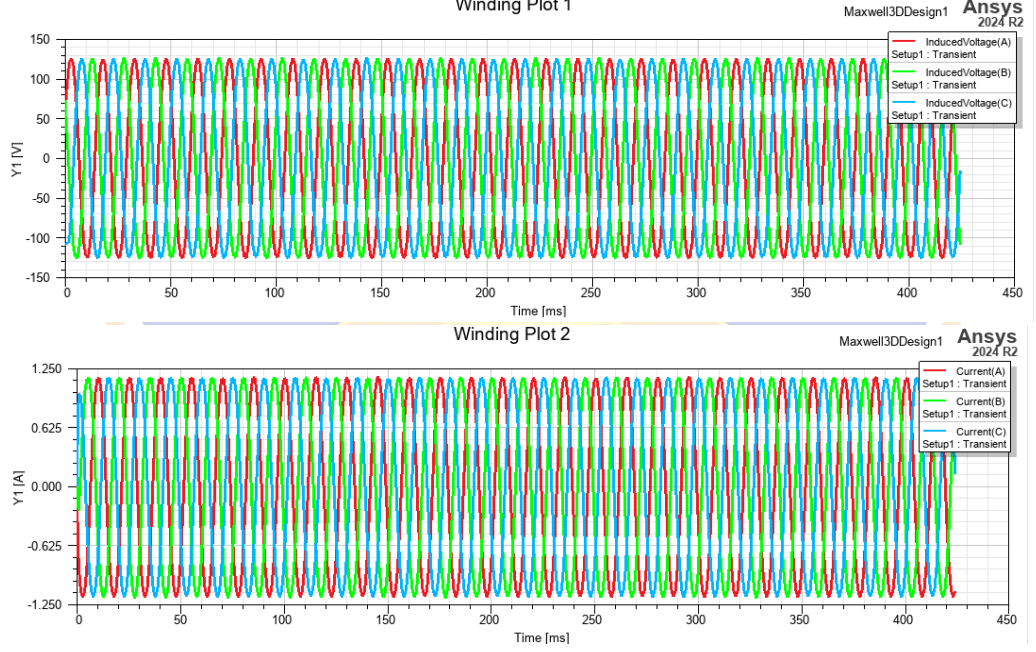
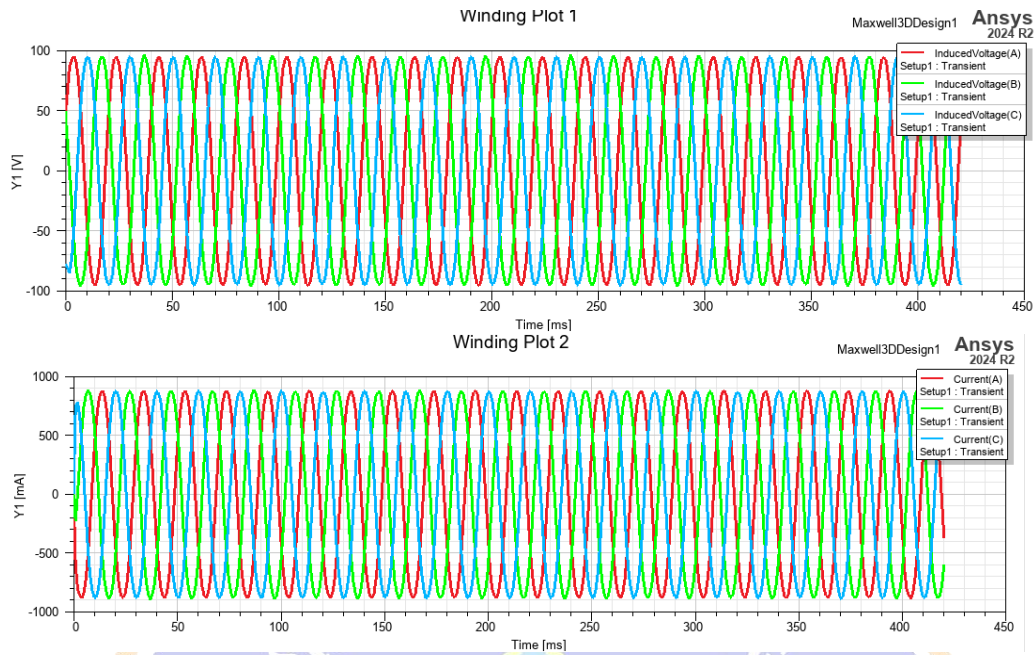
Lampiran 5. Autodesk Cfd



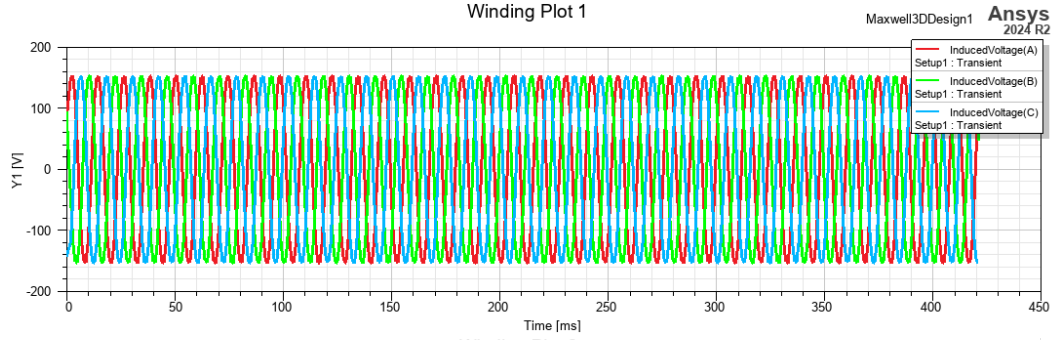
Lampiran 6. Grafik Tegangan Dan Arus Keluaran Generator



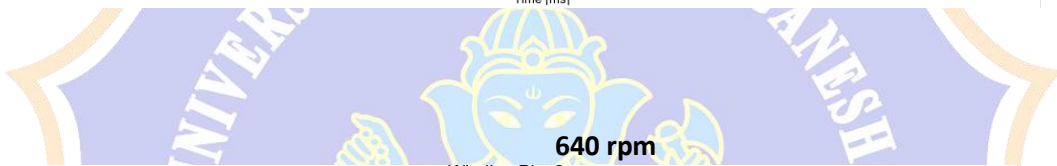
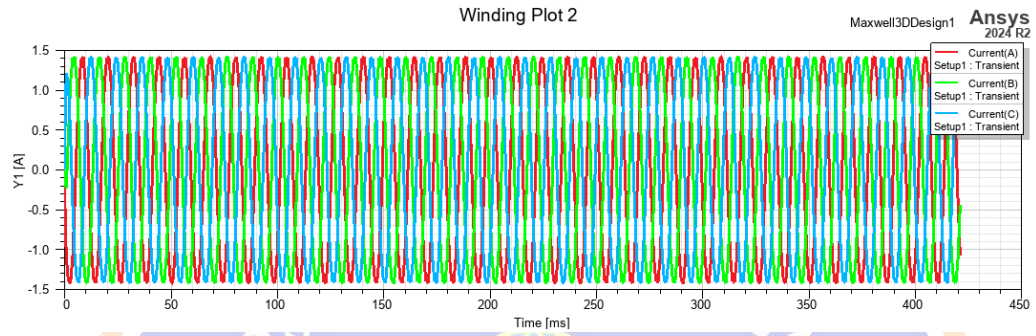
300 rpm



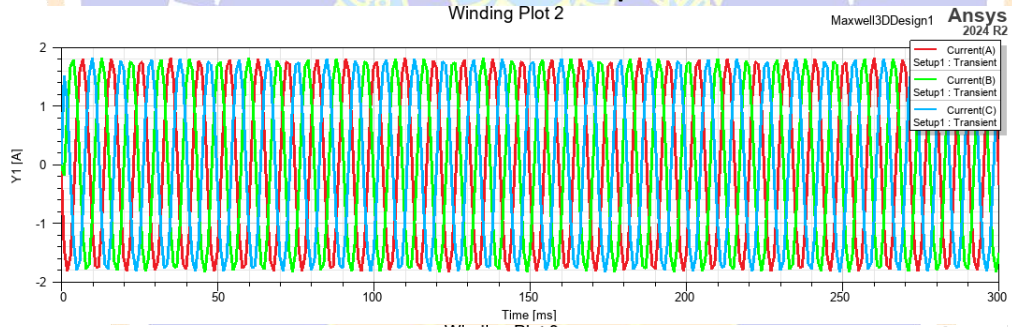
500 rpm
Winding Plot 1



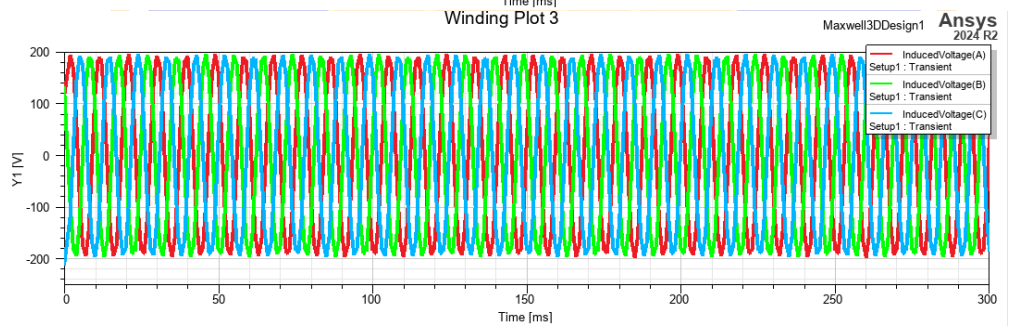
Winding Plot 2



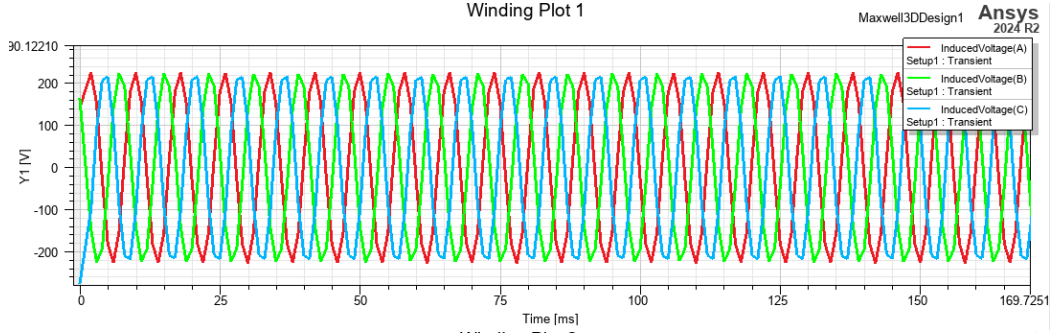
640 rpm
Winding Plot 2



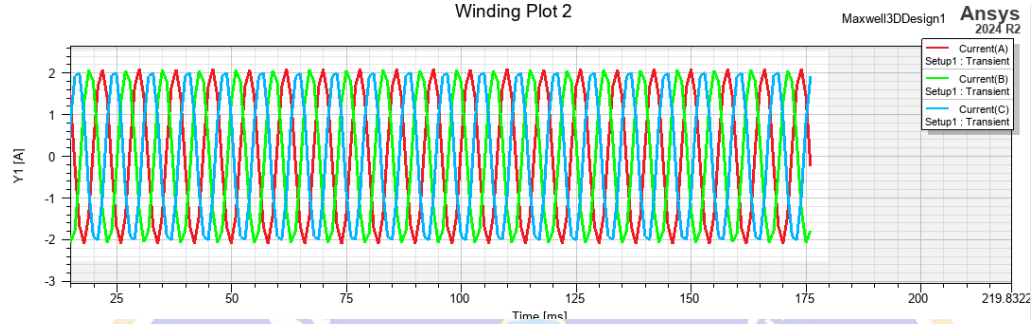
Winding Plot 3



750 rpm Winding Plot 1

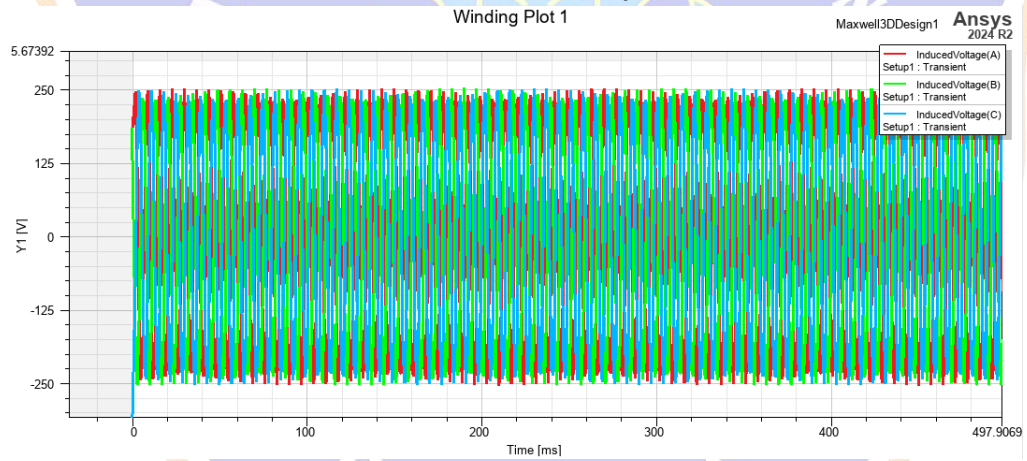


Winding Plot 2

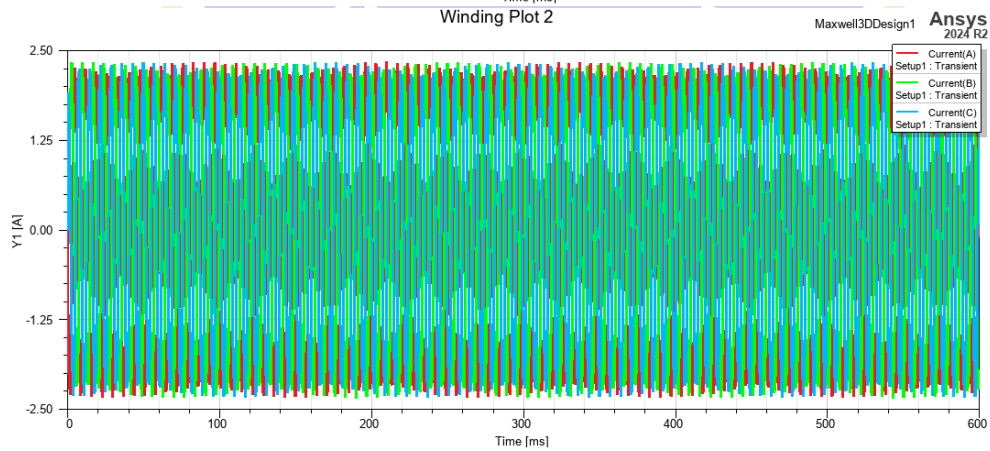


850 rpm

Winding Plot 1

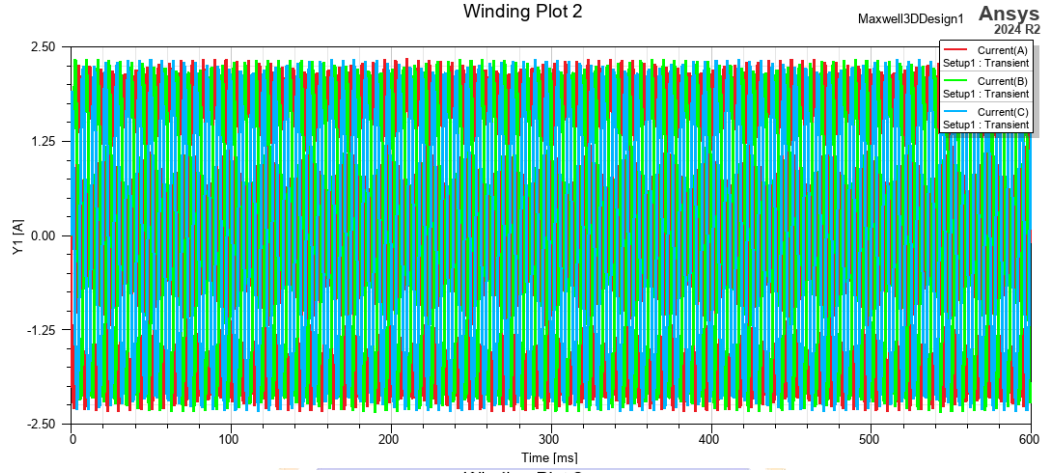


Winding Plot 2



1000 rpm

Winding Plot 2



Winding Plot 2



5000 rpm

Winding Plot 1

